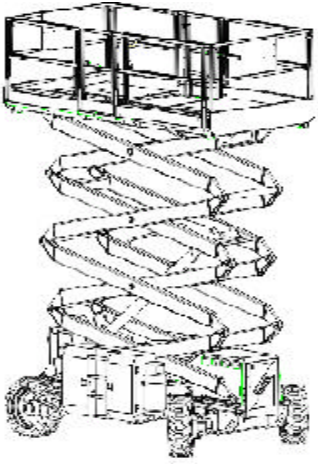


Genie GS™ -4390 RT/GS™ -5390 RT Specifications



SPECIFICATIONS

MODEL	GS-4390 RT		GS-5390 RT	
	US	Metric	US	Metric
Working height	49 ft	15.1 m	59 ft	18.2 m
Platform height	43 ft	13.1 m	53 ft	16.2 m
Height -- stowed				
guardrails	115 ½ in	2.93 m	124 in	3.15 m
guardrails lowered	88 ¾ in	2.25 m	97 ¼ in	2.47 m
Height -- platform height stowed	71 in	1.80 m	79 ½ in	2.02 m
Length -- stowed				
w/ single deck extension	155 ½ in	3.94 m	n/a	n/a
w/ dual deck extension	156 ½ in	3.98 m	n/a	n/a
w/ outriggers	192 in	4.88 m	192 in	4.88 m
Width	90 in	2.29 m	90 in	2.29 m
Wheelbase	115 in	2.92 m	115 in	2.92 m
Ground clearance	14 in	36 cm	14 in	36 cm
Platform width	72 in	1.83 m	72 in	1.83 m
Platform length				
single deck extended	212 ½ in	5.4 m	212 ½ in	5.4 m
dual decks extended	258 ½ in	6.57 m	258 ½ in	6.57 m
Slide-out deck extensions				
standard front deck	60 in	1.52 m	60 in	1.52 m
optional rear deck	48 in	1.22 m	48 in	1.22 m
Lift capacity	1,500 lb	680 kg	1,500 lb	680 kg
Extension deck capacity	500 lb	227 kg	500 lb	227 kg
Turning radius -- outside	210 in	5.33 m	210 in	5.33 m
Turning radius -- inside	85 in	2.16 m	85 in	2.16 m
Power source	Ford LRG 425 EFI Gas/LPG 82 hp (61 kw) Deutz Diesel 56 hp (42 kw)			
Auxiliary power unit	12V DC	12V DC	12V DC	12V DC
Drive speed -- stowed	5 mph	8.0 km/h	5 mph	8 km/h
Drive speed -- raised	0.7 mph	1.1 km/h	0.7 mph	1.1 km/h
Raise/lower speed	45/39 sec		55/49 sec	
Self-leveling capability with outriggers				
side/side	12°		12°	
front/rear	7°		7°	
Controls	Two-speed lift and proportional drive			
Tires	12-21.5 NHS foam-filled			
Gradeability (4x4)	50%		40%	
Drive	four wheel			
Multiple disc brakes	dual rear wheel			
Hydraulic tank capacity	30 gal	114 litre	30 gal	114 litre
Fuel tank capacity	30 gal	114 litre	30 gal	114 litre
Weight ¹	13,780 lb	6,250 kg	16,648 lb	7,552 kg

STANDARD FEATURES

- GS-4390 RT has 49 ft (14.9 m) working height and GS-5390 RT has 59 ft (18 m) working height
- 1,500 lb (680 kg) platform capacity
- Front platform extension deck
- Positive traction-controlled four-wheel drive
- 50% gradeability
- Proportional drive
- Powered by Ford Gas/LPG engine (standard) or Deutz Diesel engine (optional)
- Slide-out engine tray for easy maintenance
- AC wiring to platform
- Automatic leveling hydraulic outriggers are standard on the GS-5390 RT, optional on the GS-4390 RT

Unit Weight Modifiers for Options

¹ Basic unit consists of dual fuel, 4-wheel drive with one extension deck. GS-5390 RT basic unit includes weight of outriggers.

Diesel	add 100 lb	add 45 kg
Outriggers	add 1,700 lb	add 771 kg
Dual extension decks	add 315 lb	add 143 kg
CE link guard	add 180 lb	add 82 kg

Genie Industries

USA 18340 NE 76th Street
P.O. Box 97030
Redmond, Washington 98073-9730
Telephone (425) 881-1800
Toll Free USA/Canada 800-536-1800
Fax (425) 883-3475
<http://www.genielift.com>

UK The Maltings, Wharf Road
Grantham
Lincolnshire NG31 6BH
Telephone (44) 01476-584333
Fax (44) 01476-584334
<http://www.genielift.com>

Continuous improvement of our products is a Genie policy. Product specifications are subject to change without notice or obligation. The drawings in this brochure are for illustrative purposes only. Refer to the appropriate Genie GS-4390 RT or GS-5390 RT Operator's Manual for instructions on the proper use of this equipment. Failure to follow the appropriate Operator's Manual when using a Genie GS-4390 RT or GS-5390 RT, or to otherwise act irresponsibly, may result in serious injury or death. Copyright ©2001 by Genie Industries. "Genie" is a Registered Trademark of Genie Industries in the USA and many other countries. "GS" a Trademark of Genie Industries.